

# 4MP Vandal-resistant Network IR Fixed Dome Camera

IPC324LR3-VSPF28(40)-D



## Key Features



## Optics

- Day/night functionality
- Smart IR, up to 30m (98ft) IR distance
- 2D/3D DNR (Digital Noise Reduction)

## Compression

- Ultra 265, H.265, H.264, MJPEG
- Triple streams
- ROI (Region of Interest)

## Network

- ONVIF Conformance

## Structure

- Wide temperature range: -30°C ~ 60°C (-22°F ~ 140°F)
- Wide voltage range of  $\pm 25\%$
- IK10 vandal resistant

IP67

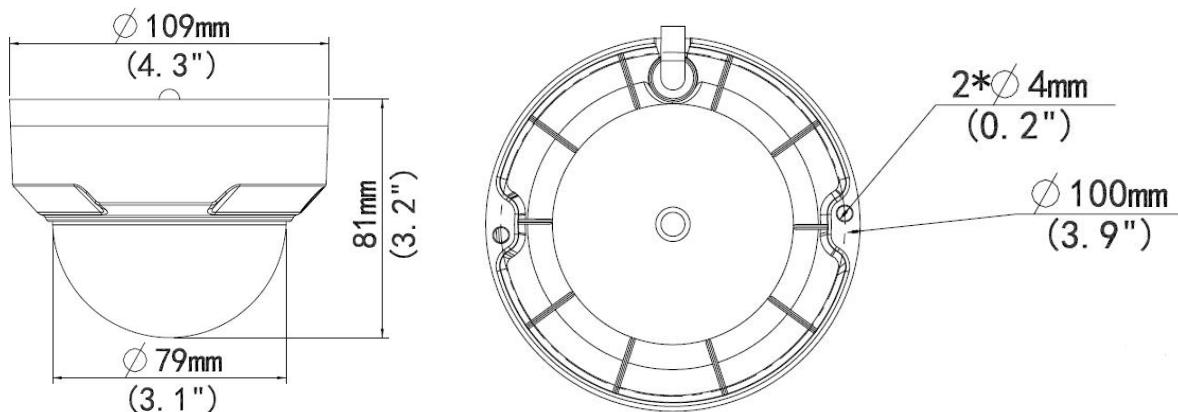
2-Axis

## Specifications

|                         | IPC324LR3-VSPF28-D   | IPC324LR3-VSPF40-D |             |                |              |
|-------------------------|--|--------------------|-------------|----------------|--------------|
| <b>Camera</b>           |  |                    |             |                |              |
| Sensor                  | 1/3", progressive scan, 4.0 megapixel, CMOS  |                    |             |                |              |
| Lens                    | 2.8mm@F2.0   |                    |             | 4.0mm@F2.0     |              |
| DORI Distance           | Lens (mm)  | Detect (m)         | Observe (m) | Recognize (m)  | Identify (m) |
|                         | 2.8  | 63                 | 25.2        | 12.6           | 6.3          |
|                         | 4.0  | 90                 | 36          | 18             | 9            |
| Angle of View (H)       | 104.4°   |                    |             | 78.9°          |              |
| Angle of View (V)       | 54.4°  |                    |             | 39.6°          |              |
| Angle of View (O)       | 135.7°   |                    |             | 97.0°          |              |
| Adjustment angle        | Pan 0° ~ 360°  |                    |             | Tilt: 0° ~ 75° |              |
| Shutter                 | Auto/Manual, 1 ~ 1/100000s   |                    |             |                |              |
| Minimum Illumination    | Colour: 0.03Lux (F2.0, AGC ON)<br>0Lux with IR   |                    |             |                |              |
| Day/Night               | IR-cut filter with auto switch (ICR)   |                    |             |                |              |
| Digital noise reduction | 2D/3D DNR  |                    |             |                |              |
| S/N                     | >52dB  |                    |             |                |              |
| IR Range                | Up to 30m (98ft) IR range  |                    |             |                |              |
| Wavelength              | 850nm  |                    |             |                |              |
| IR On/Off Control       | Auto/Manual  |                    |             |                |              |
| Defog                   | Digital Defog  |                    |             |                |              |
| WDR                     | DWDR   |                    |             |                |              |
| <b>Video</b>            |  |                    |             |                |              |
| Video Compression       | Ultra 265, H.265, H.264, MJPEG   |                    |             |                |              |
| H.264 code profile      | Baseline profile, Main Profile   |                    |             |                |              |
| Frame Rate              | Main Stream: 4MP (2592*1520), Max 20fps;<br>Sub Stream: 720P (1280*720), Max 20fps;<br>Third Stream: D1 (720*576), Max 20fps |                    |             |                |              |
| Video Bit Rate          | 128 Kbps~16 Mbps   |                    |             |                |              |
| OSD                     | Up to 4 OSDs   |                    |             |                |              |
| Privacy Mask            | Up to 4 areas  |                    |             |                |              |
| ROI                     | Up to 2 areas  |                    |             |                |              |
| Motion Detection        | Up to 4 areas  |                    |             |                |              |
| <b>Image</b>            |  |                    |             |                |              |
| White Balance           | Auto/Outdoor/Fine Tune/Sodium Lamp/Locked/Auto2  |                    |             |                |              |
| Digital noise reduction | 2D/3D DNR  |                    |             |                |              |
| Smart IR                | Support  |                    |             |                |              |
| Flip                    | Normal/Vertical/Horizontal/180°  |                    |             |                |              |

|                        |  |
|------------------------|--|
| Dewarping              | NA   |
| HLC                    | Supported  |
| BLC                    | Supported  |
| <b>Network</b>         |  |
| Protocols              | IPv4, IGMP, ICMP, ARP, TCP, UDP, DHCP, RTP, RTSP, RTCP, DNS, DDNS, NTP, FTP, UPnP, HTTP, HTTPS, SMTP, SSL, QoS |
| Compatible Integration | ONVIF (Profile S, Profile T), API  |
| Client                 | EZStation<br>EZView<br>EZLive  |
| Web Browser            | Plug-in required live view: IE9+, Chrome 41 and below, Firefox 52 and below                                    |
|                        | Plug-in free live view: Chrome 57.0+, Firefox 58.0+, Edge 16+, Safari 11+                                      |
| <b>Interface</b>       |  |
| Network                | 1 RJ45 100M Base-TX Ethernet   |
| <b>Certifications</b>  |  |
| Certifications         | CE: EN 60950-1<br>UL: UL60950-1<br>FCC: FCC Part 15  |
| <b>General</b>         |  |
| Power                  | DC 12V±25%, PoE (IEEE 802.3af)   |
|                        | Power consumption: Max 4W  |
| Dimensions (∅ x H)     | ∅109 x 81mm (∅4.3" x 3.2")   |
| Net Weight             | 0.45kg (0.99lb)  |
| Material               | Shield: PC<br>Body: plastic<br>Bottom plate: metal   |
| Working Environment    | -30°C ~ 60°C (-22°F ~ 140°F), Humidity: ≤95% RH (non-condensing)   |
| Storage Environment    | -30°C ~ 60°C (-22°F ~ 140°F), Humidity: ≤95% RH (non-condensing)   |
| Surge Protection       | 2KV  |
| Ingress Protection     | IP67   |
| Vandal Resistant       | IK10   |

## Dimensions

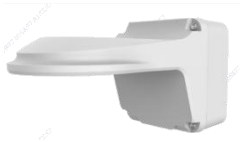


## Accessories

TR-JB03-G-IN



TR-JB07/WM03-G-IN



TR-WM03-D-IN



TR-UM06-E-IN



TR-UP06-IN



TR-A01-IN



TR-SE24-IN

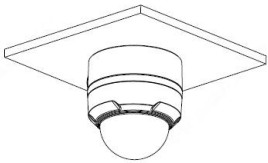
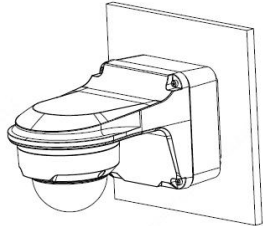
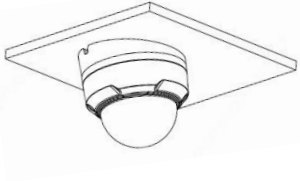
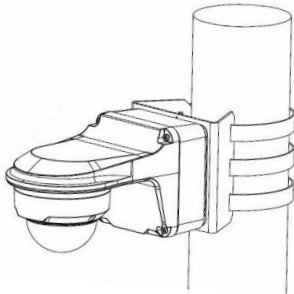


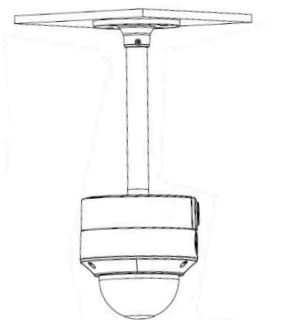
TR-SE24-A-IN



TR-CM24-IN



| Junction Mount  | Pole Mount   |
|---|--|
| TR-JB03-G-IN  | TR-JB07/WM03-G-IN  |
|  |  |
| TR-UM06-E-IN  | TR-JB07/WM03-G-IN+TR-UP06-IN   |
|  |  |
| TR-CM24-IN+TR-JB03-G-IN   |  |



**Zhejiang Uniview Technologies Co., Ltd.**

Building No.10, Wanlun Science Park, Jiangling Road 88, Binjiang District, Hangzhou, Zhejiang, China (310051)

Email: [overseasbusiness@uniview.com](mailto:overseasbusiness@uniview.com); [globalsupport@uniview.com](mailto:globalsupport@uniview.com)

<http://www.uniview.com>

©2020 Zhejiang Uniview Technologies Co., Ltd. All rights reserved.

\*Product specifications and availability are subject to change without notice.