

**STAR-LIGHT PANO™**

Super Low Light Panoramic View HD-Analog Cameras

DWC-PB753WTW



WHAT'S IN THE BOX					
Quick setup guide		1	Test video cable		1
Mounting template		1	Screws and plastic anchors - 4pcs		1 Set
Sunshield cover and adjusting screws		1	Torque wrench		1

**NOTE:** Download all your support materials and tools in one place

- Go to: <http://www.digital-watchdog.com/resources>
- Search your product by entering the part number in the 'Search by Product' search bar. Results for applicable part numbers will populate automatically based on the part number you enter.
- Click 'Search'. All supported materials, including manuals and quick start guide (QSGs) will appear in the results.



**Attention:** This document is intended to serve as a quick reference for initial set-up. It is recommended that the user read the entire instruction manual for complete and proper installation and usage.

Tel: +1 (866) 446-3595 / (813) 888-9555

digital-watchdog.com

Technical Support Hours:  
9:00AM - 8:00PM EST, Monday thru Friday

**STEP 1 - PREPARING TO MOUNT THE CAMERA**

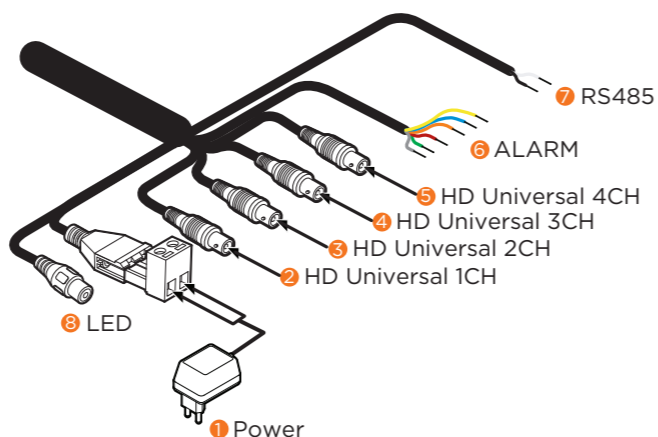
- The mounting surface must bear five times the weight of your camera (2.2 lbs).
- Mind the cables and power line to avoid damage.
- Install the moisture packet in the base of the camera's lens.
  - Remove the moisture absorber from the packaging.
  - Cut the card and folder along the dotted line.
  - Place the moisture absorber behind the camera's lens module. See drawing for more information.
- Using the mounting template sheet or the camera itself, mark and drill the necessary holes in the wall or ceiling.

**STEP 2 - CABLING THE CAMERA TO EXTERNAL DEVICES**

Pass the wires through the mount bracket and make all necessary connections.

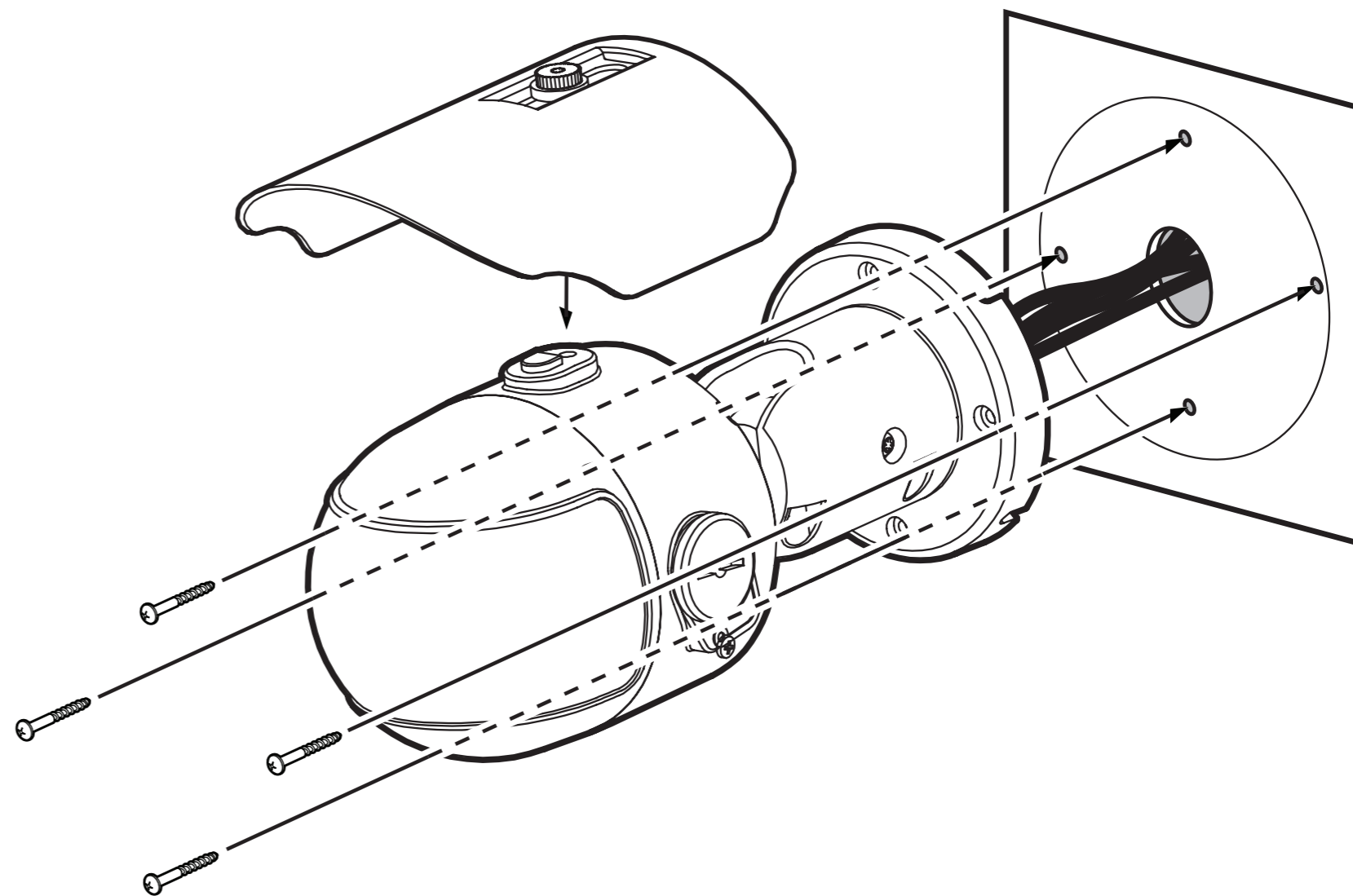
- NETWORK CONNECTIONS** - If you are using a PoE Switch, connect the camera using an Ethernet cable for both data and power.
- NETWORK CONNECTIONS** - If you are using a non-PoE switch, connect the camera to the switch using an Ethernet cable for data transmission and use a power adapter to power the camera.

Power requirements	Power consumption
DC12V, PoE IEEE 802.3at Class 3 (adapter not included)	DC12V: 8.5W, 708mA AC24V: 8.5W, 354mA



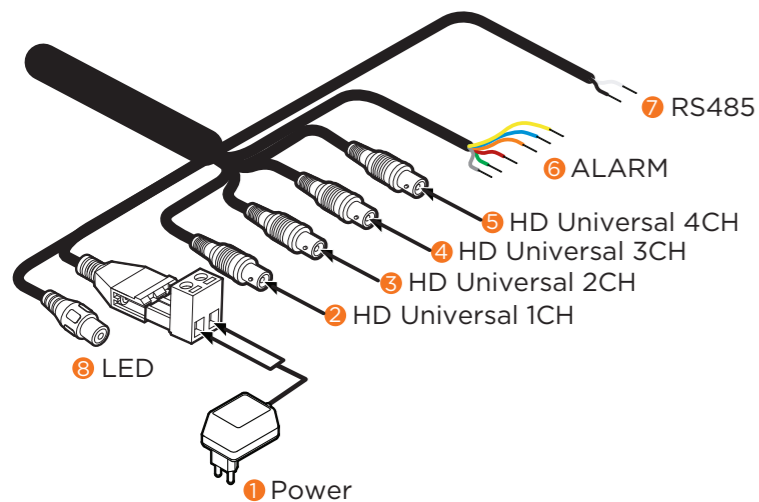
**STEP 3 - INSTALLING THE CAMERA**

- Once all cables are connected, secure the camera to the mounting surface using the included screws.
- To adjust the camera's pan and tilt, loosen the pan/tilt stopper screw. Adjust the camera's position as needed. You may use the camera's video test cable for local image view.
- Attach the sunshield to the camera by using the provided sunshield screws.



**STEP 4 - CABLING**

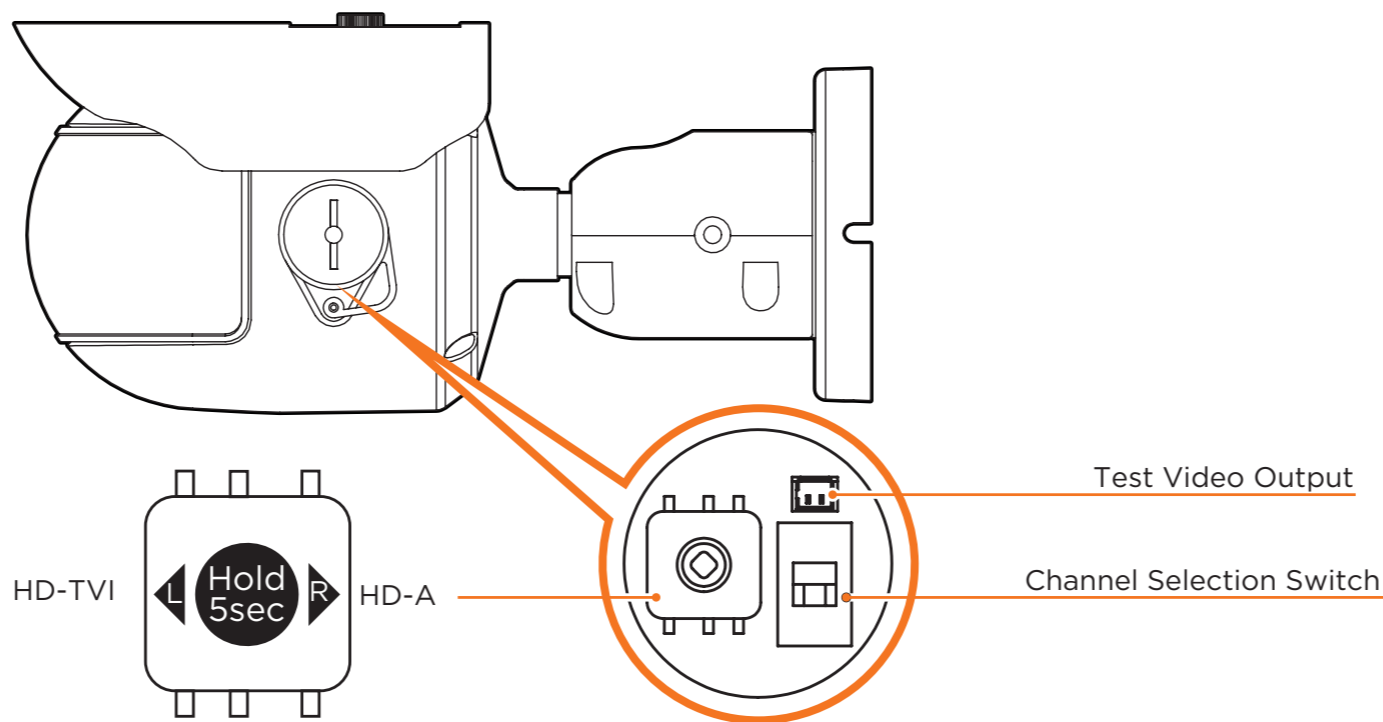
Use the diagram below to properly connect power, network, audio, alarm and sensors to the camera.



Alarm	
1# DOUT +	ORANGE
1# DOUT -	RED
2# DOUT +	YELLOW
2# DOUT -	BLUE
3# DOUT +	GREEN
3# DOUT -	GRAY

**STEP 5 - CHANGING THE SIGNAL IN THE CAMERA**

1. The camera supports HD-Analog, and HD-TVI signals. To switch between the signals:
  - a. Enter the camera's OSD menu. You can access it locally from using the camera's joystick in the body of the camera.
  - b. Set the camera's analog signal output from the following options:
    - To switch the camera's signal to HD-Analog, push the OSD joystick to right and hold for five (5) seconds. The camera's default signal is HD-Analog.
    - To switch the camera's signal to HD-TVI, push the OSD joystick to left and hold for five (5) seconds.
  - c. Change CONFIRM to ON to save the changes.
  - d. Go to the EXIT menu and select SAVE&EXIT to save all changes. The camera signal automatically.



**STEP 6 - ACCESING THE CAEMRA'S OSD MENU**

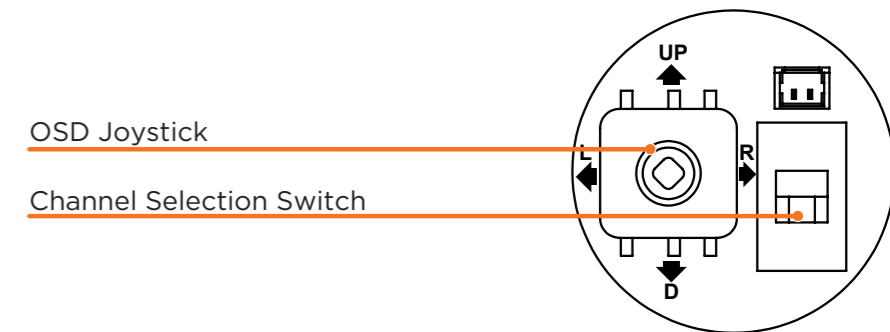
The camera has three separate sensors, each with its own OSD menu and settings.

When adjusting the camera's settings, each lens/sensor will have their own set of values and settings and will be set separately.

In addition, the camera offers a 4 BNC output of a combined 180° view as a single output. This output has an additional Panoramic OSD menu with special settings including stitching and motion and patrol setup.

To access each sensor's OSD menus select one of the following options:

1. The camera has four (4) BNC outputs, each supporting UTC (Up the Coax) communication. When the camera is connected to a DVR supporting UTC communication, you can access the camera's OSD menu directly from the DVR.
2. The camera supports RS485 communication, allowing to control the camera remotely.
3. In the camera's external control board, there is a switch next to the joystick controller. The switch determines which of the sensors will be displayed in the test BNC output. When selected, the selected sensor's display will appear in the Test video out for 60 sec.



**\*NOTE:** Option 3 does not support access to the fourth Panoramic OSD menu. You must use the UTC or RS485 cabling to access those options.