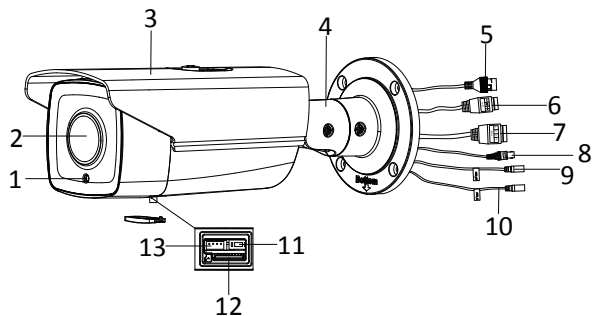


Bullet Type VII Network Camera

Quick Installation Guide



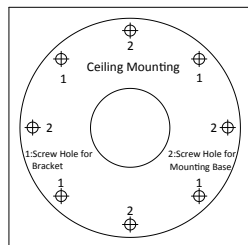
No.	Description	No.	Description
1	Photoresistor	8	Video Cable Interface
2	Lens	9	Audio Out
3	Sun Shield	10	Audio In
4	3-axis Bracket	11	Reset Button
5	Network Cable Interface	12	Micro SD Card Slot
6	Power Cable Interface	13	Serial Port
7	Alarm Cable Interface		

Installation

Note:

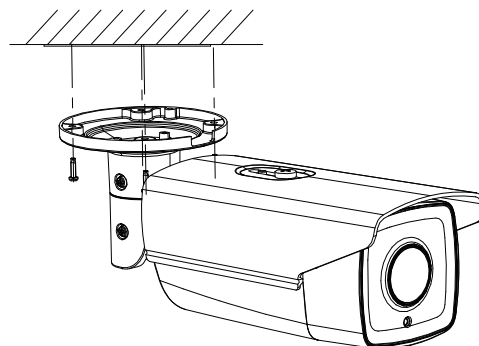
Make sure that the wall is strong enough to withstand four times the weight of the camera and the bracket

1. Drill the screw holes and the cable hole in the ceiling according to the supplied drill template.



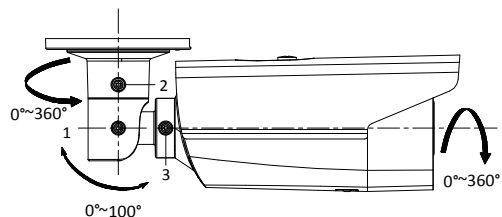
2. Fix the camera to the wall with the supplied screws.

Please insert the expansion screws first if the camera is mounted to the cement ceiling. And you can use the self-tapping screws directly if camera is mounted to the wooden ceiling.



3. Adjust the surveillance angle.

- 1). Loosen No.1 lock screw to adjust the tilt angle [0°~100°].
- 2). Loosen No.2 lock screw to adjust the pan angle [0°~360°].
- 3). Loosen No.3 lock screw to rotate the camera [0°~360°].
- 4). Tighten the lock screws.



For detailed instructions of further configuration, please refer to the user manual of network camera.